

LOGGER S0842

Three channel temperature logger with one binary input and LCD display

Instruction Manual

Instruction Manual for use of S0842 logger

Instrument is designed for measurement and record of temperature from three external temperature probes and one binary signal from external contact. Temperature probes and binary signal are connected by means of connectors. Measured value of temperature and actual state of binary input are displayed on dual line LCD display and are stored in adjusted time interval to internal non-volatile memory. All logger settings and control are performed by means of personal computer and password protection is enabled. It is also possible to switch ON and switch OFF the logger by start/stop magnet (this function can be disabled from the PC). Also automatic switch ON at programmed day and time (maximum one month forward) is enabled. Start/stop magnet enables also to clear the minimum and maximum value memory. Switching ON a switching OFF the logger is possible to control by external binary signal of the 4th channel.

Minimum and maximum measured values can be displayed (display switches to actual measured values and min/max values automatically). It is also possible to operate logger with switched OFF display. Short display of actual measured values is enabled by means of magnet.

Switched ON logger every 10 seconds (independently on logging interval) updates MIN/MAX memory, compares measured values of each channel including temperature difference with two adjustable limits for each channel and exceeding of limits is indicated on the display (alarm function). Also memory alarm mode is selectable, when alarm is indicated permanently till alarm memory reset. Alarm function is enabled or disabled for each channel individually. Binary channel has no alarm mode.

Logging mode can be adjusted as non-cyclic, when logging stops after filling the memory. In cyclic mode oldest stored values are overwritten by new. In addition logging mode can be selected when logging is active only if measured value is out of adjusted alarm limits.

Stored values can be transferred from logger memory to the PC by means of communication adapter. Communication adapter can be connected to the logger permanently – data logging is not interrupted even if data download appears.

Logger evaluates minimum battery voltage and its drop below allowed limit is indicated on the display. At the same time value of remaining battery capacity is available by means of the PC program and appears on the logger LCD in % (every time after switch ON).

Technical parameters:

External temperature probes (can be limited by concrete applied probe):

Range of measurement: -90 to +260 °C (RTD Pt1000/3850ppm probe)
-50 to +150 °C (RTD Ni1000/6180ppm probe)

Resolution: 0.1 °C

Accuracy temperature inputs without probe (Pt1000 and Ni1000):

±0.2 °C from -50 to +100 °C

±0.2 % from reading from +100 to +260 °C

±0.4 % from reading from -50 to -90 °C

Accuracy of the instrument with connected external probe is defined by above input accuracy and the accuracy of connected probe.

Type of compatible probe: based on RTD Pt1000/3850ppm or Ni1000/6180ppm equipped with ELKA3008 female connector

Recommended probe Pt1000TG8/E (IP67, -80 to +200°C)

Response time of xxxTG8/E probe (air flow approximately 1 m/s):

t63 < 1 min, t90 < 3 min (temperature step 20 °C)

Signal for binary input: from potential-less contact, connected to connector ELKA 3008V

Minimum pulse duration at binary input: 500 ms (shorter pulses may not be recorded)

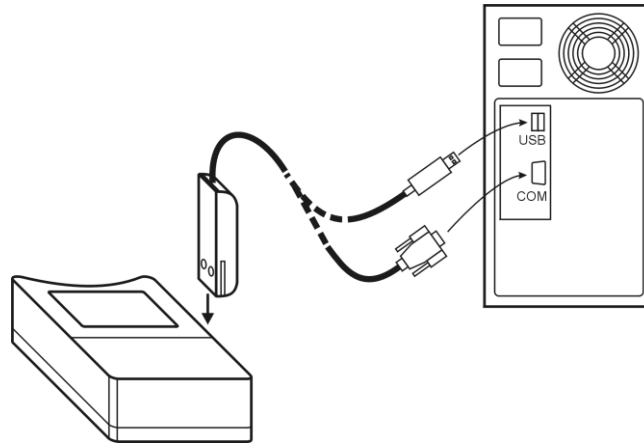
Maximum frequency at binary input: 0.5 Hz (i.e. maximum 5 pulses in 10 s)

Power current of connected contact: 3 μ A (contact closed)
Voltage across open contact: maximum 3.6 V
Cable parameters for connection of the binary input: 2 wires with common shielding
(detailed information on cable – see page 9)
Cable length for connection of the binary input: maximum 10 m
Measurement interval measurement, alarm evaluation, memory MIN/MAX update and
display refresh: 10 s
Logging interval to memory: 10 s to 24 h (20 steps)
Memory capacity:
for non-cyclic logging mode 10 834 records for each temperature channel
for cyclic logging mode 10 402 records for each temperature channel
Specified values are maximum possible and can be reached only if record since last
memory erasing was not interrupted and no event on binary inputs was recorded. Each
event record on the binary input decreases above capacity of one record.
Communication with computer: via RS232 (serial port) by means of COM adapter or USB
port by means of USB adapter; data transfer from logger via communication adapter is
optical
Real time clock: adjustable from computer, integrated calendar including leap years
Error of internal RTC: < 200 ppm (i.e. 0.02 %, 17.28 s in 24 h)
Power: Lithium battery 3.6 V size AA
Battery life:
typical (data download to PC is carried out about once a week): 5 years
in continuous on-line mode with interval 1 minute: approximately 3 years
in continuous on-line mode with interval 10 seconds: approximately 1 year
Notice: The above battery lives are valid for logger operation in temperature from -5 to
+35°C. If often operated outside of the above temperature range battery life can be
reduced to 75%.
Protection: IP67
Operational conditions:
Operational temperature range: -30 to +70 °C
Operational humidity range: 0 to 100 %RH
Specification of outer characteristics accordingly to Czech National Standard 33-2000-3:
normal environment accordingly to appendix NM: AE1, AN1, AR1, BE1
Operational position: negligible
Logger installation: by self adhesive Dual Lock, applied to clean, flat surface
Not allowed manipulation: it is not allowed to operate instrument with not connected
temperature probes - if all probes are not connected, unconnected connectors should be
protected by included connector cover.
Limit condition: temperature -40 to +70 °C, humidity 0 to 100 %RH
Storing condition: temperature -40 to +85 °C, humidity 0 to 100 %RH
Dimensions: 93 x 64 x 29 mm
Weight including battery: approximately 130 g
Material of the case: ABS

Logger operation

Logger comes complete with installed battery and switched OFF. Before operation it is necessary by means of installed user PC software to set logging parameters and other features. Free user program is available to download at www.cometsystem.cz . For communication with the PC a communication adapter is necessary (not included in delivery). For connection via RS232 serial port it is necessary to use COM ADAPTER, for connection via USB port it is necessary to use USB ADAPTER. Connect adapter connector to proper computer port and plug the adapter to the guide slots on the side of logger.

Connecting logger to the computer by means of communication adapter



Notice: USB connector can be located also at the computer front side

After connecting the logger to the computer reading of logger info is enabled by means of the PC software and also setting of the instrument accordingly to the user needs (menu *Configuration / Setting of instrument parameters*). Before logging start it is necessary:

- check or optionally set the logger real time clock
- select suitable logging interval (it has no influence to binary inputs record)
- select logging mode (cyclic or non cyclic)
- set for each channel type of temperature probe (Pt1000 or Ni1000)
- disable channels for logging with not connected temperature probe
- switch ON the logger (or switch OFF, if it is about to be switched ON by magnet or automatically with delayed start)
- enable or disable the option to switch ON the logger by magnet
- enable or disable the option to switch OFF the logger by magnet
- enable or disable the option to clear minimum and maximum value memory by magnet
- set date and time of logger automatic switching ON logger or disable this option
- optionally enable to control logging by external signal (i.e. logger switch ON/OFF is controlled by binary input state at channel 4). Set required binary state for switching ON the logger from the menu of channel 4 parameters.
- select if record runs permanently or only if alarm is active
- if alarms are about to be applied, set both limits for each measured quantity and enable alarm (not relevant to binary inputs)
- optionally enable permanent alarm indication (alarm with memory)
- switch ON or switch OFF the display of logger

- optionally switch ON displaying of MIN/MAX values on the LCD
- reset memory of MIN/MAX values (if needed)
- check free space in data memory, optionally erase data memory of the logger
- enter password if protection against unauthorized manipulation with the logger is necessary

Logging interval between to subsequent measurements is specified by the user. Memorizing of the first value is synchronized with the internal real time clock, so the logging is performed at sharp multiples of minutes, hours and days. E.g. after starting the logging with the 15 minute interval the first value is not stored immediately, but after the internal clock gets the status of a quarter, a half or a whole hour. After starting the logging with the 3 hours interval the first value is stored at that whole hour to perform the storing also at 00.00, i.e. at the beginning of the day. First storing is performed at 00:00:00, 03:00:00, 06:00:00 hours, etc. - at the hour from the above nearest to the logging start. After communication with computer or after start by magnet logger automatically waits for the nearest whole multiple of time and then first measurement is performed. This is also necessary to take into account when setting time of automatic logger switch ON.

Connect external temperature probes only to switched OFF logger, otherwise incorrect values to data memory and min/max memory could be stored.

Notice: If logger operates as permanently connected to the computer, using of magnet start/stop is disabled.

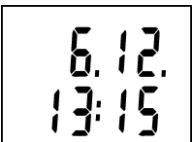
To enable the logger control by magnet is suitable only in cases, when possibility of unauthorized manipulation to the logger operation is eliminated.

If logger is controlled by binary signal from channel 4, logger will be switched OFF with the delay up to 10s after appearance of desired binary state!

Reading on the display in usual operation (logger switched ON)



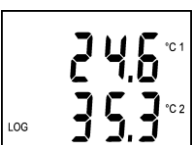
After switching ON the logger all LCD symbols are displayed for checking the display.



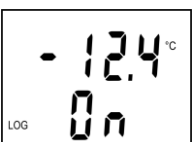
Then actual date and time in logger is displayed for approximately 4 s.



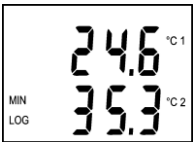
Consequently reading of estimated remaining battery capacity for approximately 2 s is displayed (values 0 to 100%). It is valid if logger is operated at temperature from -5 to +35°C. If logger is operated often outside of the above temperature range battery life can be reduced to 75%, i.e. if displayed remaining battery capacity drops below 25%, it is recommended to replace the battery.



If display is switched ON, actual reading of measured values is displayed - channel 1 temperature (°C 1) at the LCD upper line, channel 2 temperature (°C 2) at the LCD lower line. Symbol LOG indicates data logging in progress – if it blinks, data memory is filled up to more than 90%.



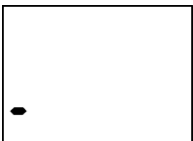
Other measured or calculated values are displayed always after 5 seconds. Instrument now displays channel 3 temperature (°C) and binary input actual state. Symbol On indicates closed contact (respectively low voltage level), symbol OFF indicates opened or not connected contact.



Switched ON logger permanently (with 10 s interval) updates memory of minimum and maximum values of temperature channels (not relevant for binary inputs). If displaying of MIN/MAX values is selected, minimum measured value is displayed at the LCD lower line (indicated by symbol MIN) and then similarly maximum measured value (indicated by symbol MAX). In displaying of channel 4 state always actual binary states are displayed from input 4. All display cycle repeats periodically, i.e. actual temperature readings follow.



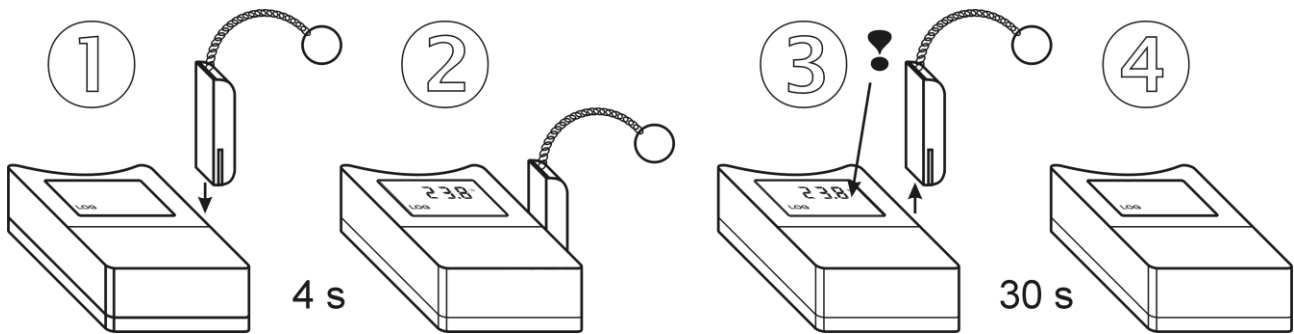
If display is switched OFF, all above readings are displayed up to estimated remaining battery capacity and then display goes out. If logger is switched ON symbol LOG is displayed (it blinks if memory occupation is higher than 90%).



If display is OFF and logger is in mode when record runs only when alarm is active, the LOG symbol is replaced by adjacent symbol "-" (hyphen). It appears in case, all measured values are inside of adjusted alarm limits and data logging therefore does not run. Displayed symbol indicates logger is ON.

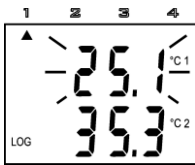
If information on actual measured values is needed, it is possible anytime to display reading display by means of the magnet (only if communication adapter is not connected permanently). Plug magnet into guide slots from logger front side for approximately 4 s and wait till reading on the display appears. If logger has enabled the function switch OFF by magnet, resp. MIN/MAX memory clear by magnet, do not remove magnet from guide slots before decimal point symbol goes out – logger would be switched OFF, resp. MIN/MAX memory would be cleared! Display reading initialized by magnet goes out automatically after 30 s. Remove the magnet from slots anytime during actual reading is ON or later.

Temporary displaying of actual reading by magnet



Alarm indication on the display

It is necessary to enable alarm function from the PC and set for each quantity lower and upper limit (not relevant for binary input). If measured value is inside of set limits, alarm of proper quantity is not active. If value of measured quantity gets outside of set limits, alarm of proper quantity is active and it is indicated on the display. It is possible to select "memory alarm mode" when alarm is indicated permanently up to reset from the PC.



Active alarm is indicated (if display is ON) by blinking of the value of proper quantity on the display and arrow symbol appears at the LCD upper side at the same time. Arrow 1 indicates active alarm for channel 1 temperature, arrow 2 for channel 2 temperature and arrow 3 for channel 3 temperature.

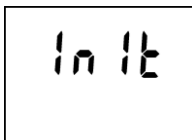
Notice: if logger is operated at low temperature (below approximately -5 °C), alarm indication by blinking can be indistinct. Indication by arrows works correctly.

Messages displayed on the LCD beyond usual operation

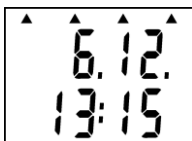
If measured value is out of the measurable or displayable range numeric reading is replaced by hyphens.



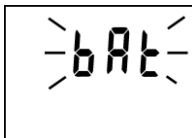
If memory is totally full filled in non-cyclic logging mode, logger is switched OFF and message MEMO FULL appears on the LCD. It appears also if logger is operated with switched OFF display.



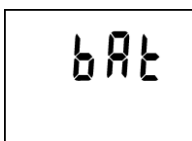
New initialization of logger can occur in switching ON the logger (immediately after displaying of all LCD segments for checking) e.g. after replacement of totally discharged battery for new one. State is indicated by INIT reading. It can be displayed for about 12 s.



If battery voltage drop occurred since last internal clock setting below critical limit or battery disconnection for longer period than approximately 30 s, after display switch ON (during date and time display) all four arrows appears as warning to check or set it again from the computer. However all logger functions work without limitation.



If reading BAT is displayed periodically on LCD upper line (for 1 s with 10 s interval), the end of estimated battery life is coming – however logger functions are not limited. Replace battery as soon as possible!



If reading BAT is displayed permanently, battery voltage is low and logger is not possible to switch ON. If logger was switched ON before it, data logging is stopped and logger is switched OFF. Communication with computer can temporarily work. Replace battery as soon as possible!

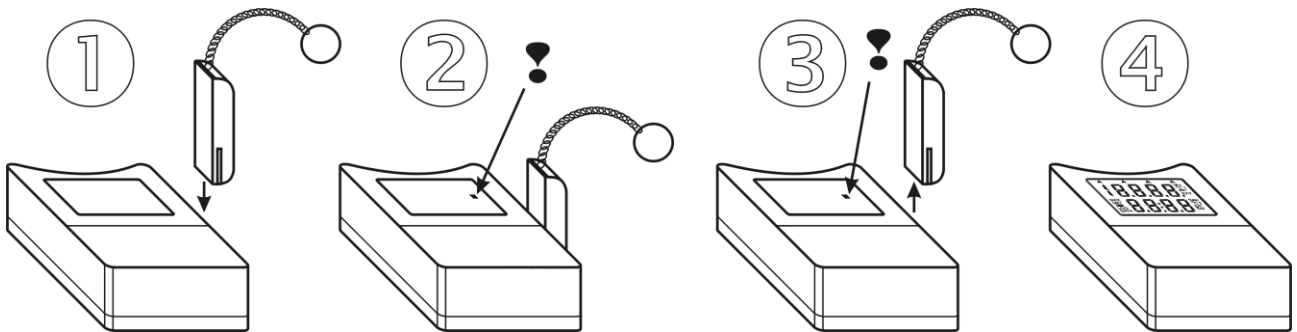
Start / stop by magnet

The function must be enabled from the PC before. If only switching OFF by magnet is enabled, it is of course necessary to switch ON the logger from the computer.

Notice: It is not possible to combine function switching OFF by magnet and MIN/MAX memory clear by magnet! User software enables only one of them to select.

Switching the logger ON by magnet

Plug magnet to guide slots from logger front side and wait approximately 1 s for decimal point appears right on LCD upper line. After appearance it is necessary immediately (till indication point is displayed) to remove magnet from guide slots and logger switches ON.



Switching the logger OFF by magnet

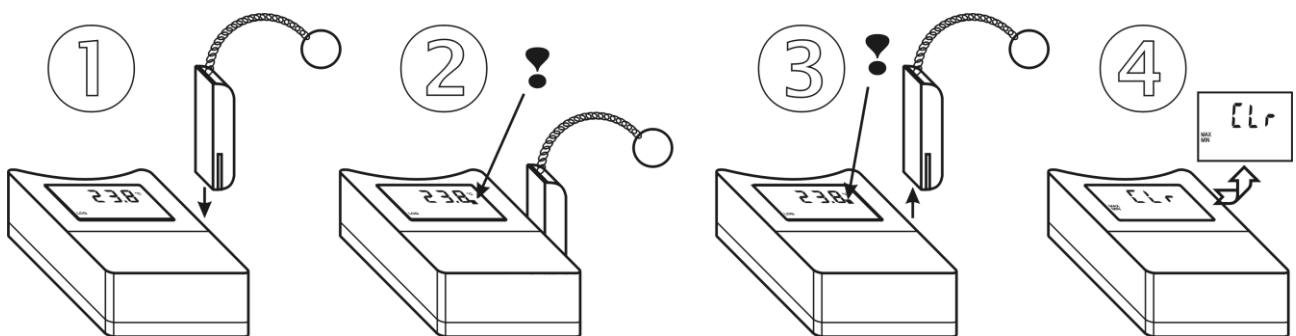
The procedure is identical with the above procedure for switching ON. If decimal point does not appear after 1 s, it is necessary remove the magnet and repeat the procedure.

Reset of MIN/MAX values by magnet

Function enables to clear MIN/MAX values by magnet without using computer. It is necessary to enable the function from the PC software before.

Notice: It is not possible to combine this function with function of switching logger OFF by magnet! User software enables to select only one of them (or none).

Plug magnet to guide slots from logger front side and wait approximately 1 s for decimal point appears right on LCD upper line. After decimal point appearance it is necessary immediately (till indication point is displayed) to remove magnet from guide slots. Reading CLR MIN MAX appears for several seconds and MIN/MAX values will be cleared.



Battery replacement

Low battery is indicated on the display by blinking of reading "BAT". It can be displayed permanently, if battery voltage is too low. Replace the battery for new one. If logger is operated often in temperature below -5°C or over $+35^{\circ}\text{C}$ and PC program indicates remaining battery capacity below 25% it is also recommended to replace the battery. Applied is Lithium battery 3.6 V, size AA. Battery is located under logger lid.

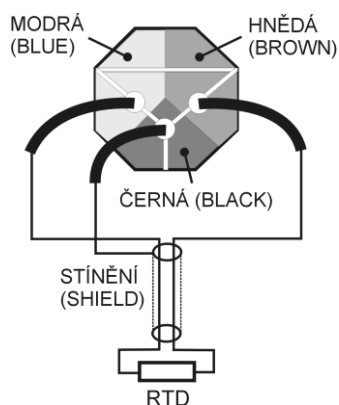
Warning: near battery fragile glass reed contact is located – be careful not to damage it. Be careful in battery replacement!

Replacement procedure:

- switch off the logger by the PC program or by magnet (if low battery allows)
- unscrew four corner screws and remove the lid
- remove old battery by pulling the glued tape
- insert new battery **respecting the correct polarity** (see symbols + and – near battery holder). If you connect new battery up to 30 s, all logger settings remain unchanged. In the opposite case check by means of PC program all settings, especially the real time clock in logger. **Attention, inserted battery with incorrect polarity causes logger damage!**
- put the lid back again and screw four screws. Be careful to have the rubber sealing properly in the slot and tighten the screws properly to ensure the water resistance of the instrument.
- connect logger to the computer and **write to it the information on battery replacement** (menu Configuration/Battery replacement). This step is necessary to evaluate properly the remaining battery capacity.

Old battery or logger itself (after its life) is necessary to liquidate ecologically!

Connection of female ELKA 3008V connector for temperature probe and binary contact



It is possible to order as an optional accessory connector for connection of temperature probe. Signal cable should be shielded, round cross section of minimum diameter of 3.5 mm and maximum diameter of 5 mm, maximum length of 10 m and as large as possible cross section of cords (stranded wires). Outer diameter must be from 1 to 1.55 mm including insulation. Connect connector to temperature signal accordingly to the figure by means of the manual included in delivery. Choose the most suitable plastic insert accordingly to the diameter of stranded wires of the cable. The IP67 protection is guaranteed only if connector is assembled correctly!

It is necessary to select and connect cable for binary inputs with respecting the same rules as above. Connect the contact instead of the RTD probe. Due to high impedance of binary inputs it is necessary to avoid places with higher electromagnetic interference when installing cables from contacts (switchboards, motors, contactors, frequency converters, etc.)

Instrument passed through tests of electromagnetic compatibility (EMC):

Device conforms in accordance with EN 61326-1 these norms:

- | | |
|------------|---|
| radiation: | EN 55011 Class B |
| immunity: | EN 61000-4-2 (levels 4/8 kV, Class A) |
| | EN 61000-4-3 (intensity of electric field 3 V/m, Class A) |
| | EN 61000-4-4 (levels 1/0.5 kV, Class A) |
| | EN 61000-4-6 (intensity of electric field 3 V/m, Class A) |